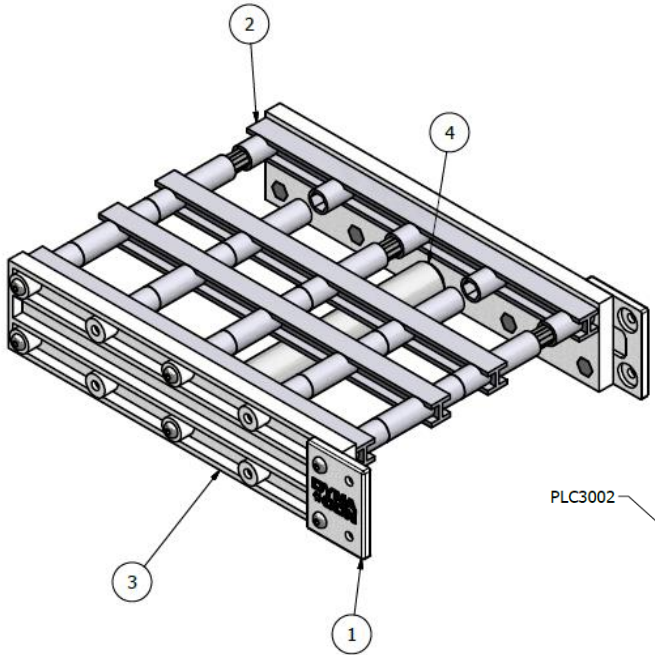
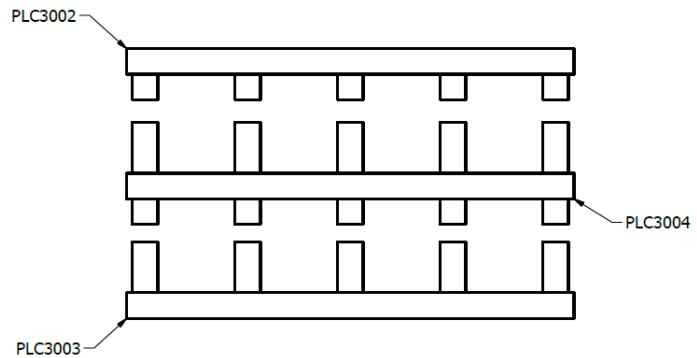


DynaCon 17.5" Straight Connector

Low Profile



Belt Support Information



- 1 – PLC3001 4 Hole Double Connector
- 2 – PLC300_ Low Profile Support
- 3 – SUA970-LP Low Profile Sidewall
- 4 – GPA13__ Low Profile Return Roller (GPA1312 for 12" conveyor)*

*(also contains GPC280 & GPC281 bearing/bushing inserts, not visible)