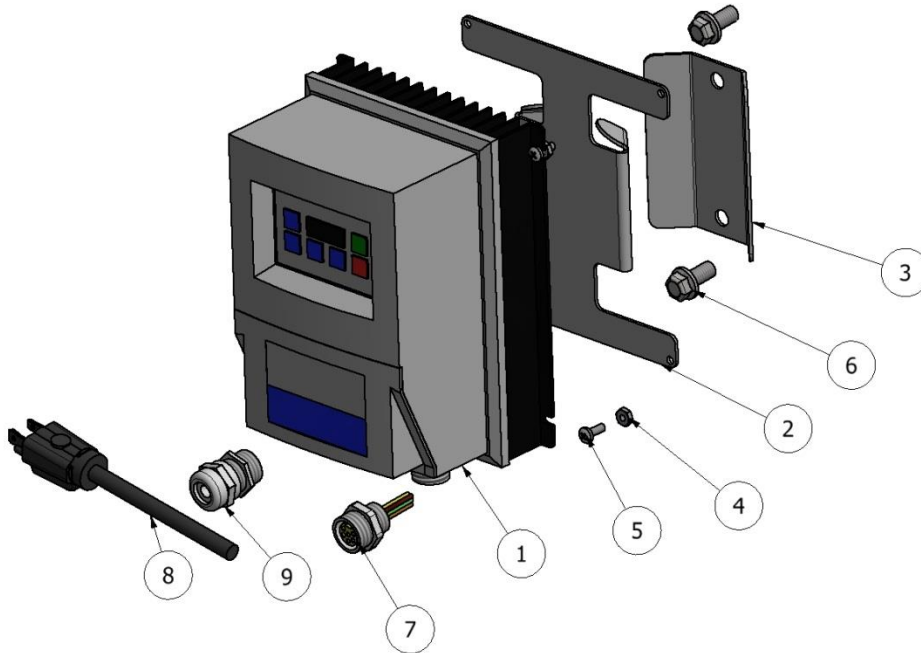


DynaClean Lenze

Nema 4X Controller & Components



- 1 – Lenze Nema 4X VFD Controller
- 2 – Control Bracket (Attached To Controller)
- 3 - Control Bracket (Attached To Leg)
- 4 – 10-32 Lock Nut
- 5 – 10-32 X .5 Pan Head Screw
- 6 – 3/8-16 UNC by 3/4" Long. Flange Head Bolt
- 7 – 6 Wire Female Connector
- 8 – 110 Volt Power Cord With Ground
- 9 – Strain Reliefe