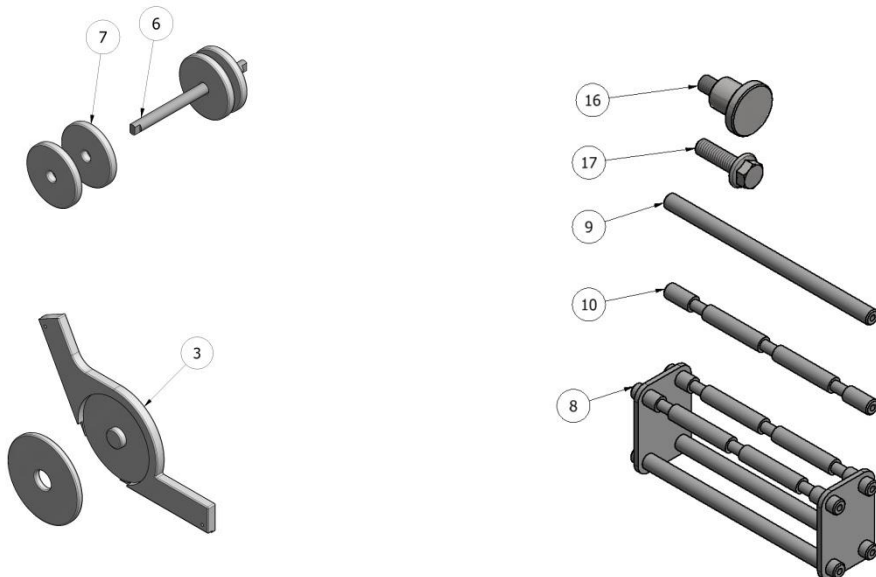
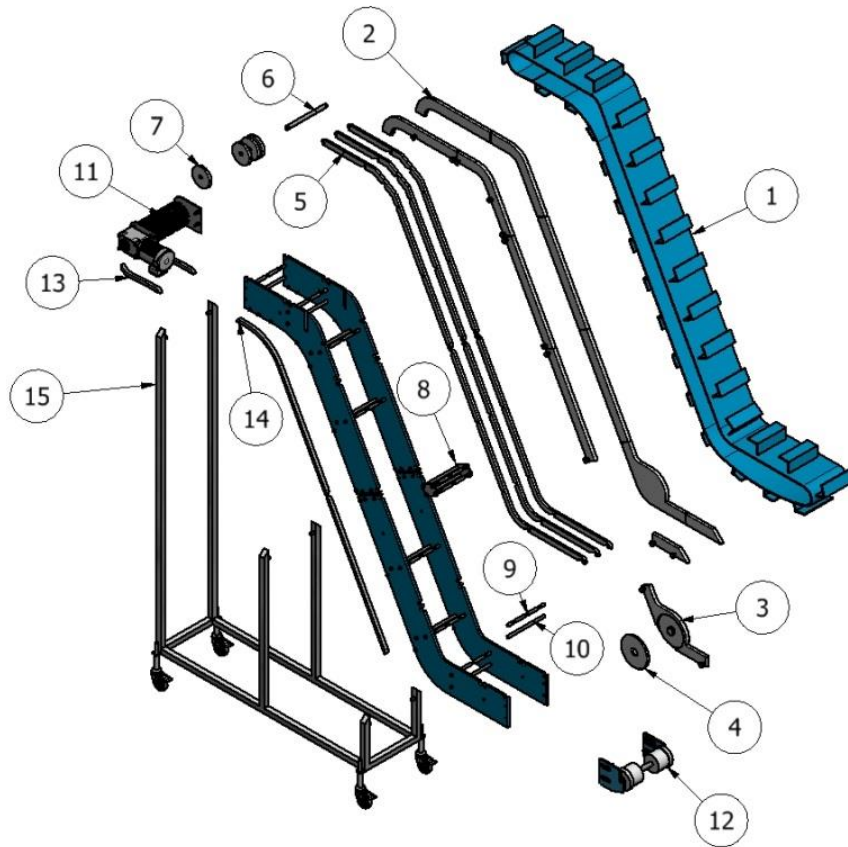


DynaClean Z Style Conveyor Components



- 1- DynaClean Belting (Intralox ThermoDrive or Link Style Belt)
- 2- Removable Retaining Walls
- 3- Removable Retaining Wall With Lower Dynamic Roller
- 4- Lower Dynamic Roller
- 5- Removable Belt Supports
- 6- Upper Dynamic Roller Shaft
- 7- Upper Dynamic Roller
- 8- Joiner Crossbar (Used when multiple module sections are joined together)
- 9- Grooved Top Crossbar (Used to Support Belt Supports)
- 10- Smooth Lower Crossbar
- 11- Drive Assembly
- 12- Feed Assembly
- 13- Drive End Position Limiter
- 14- Belt Return Guide Rail
- 15- Leg Set Assembly
- 16- (DCP0008) Threaded Shoulder Bolt
- 17- (SCA1002) 3/8-16 UNC X 1.25" Long Flange Head Bolt