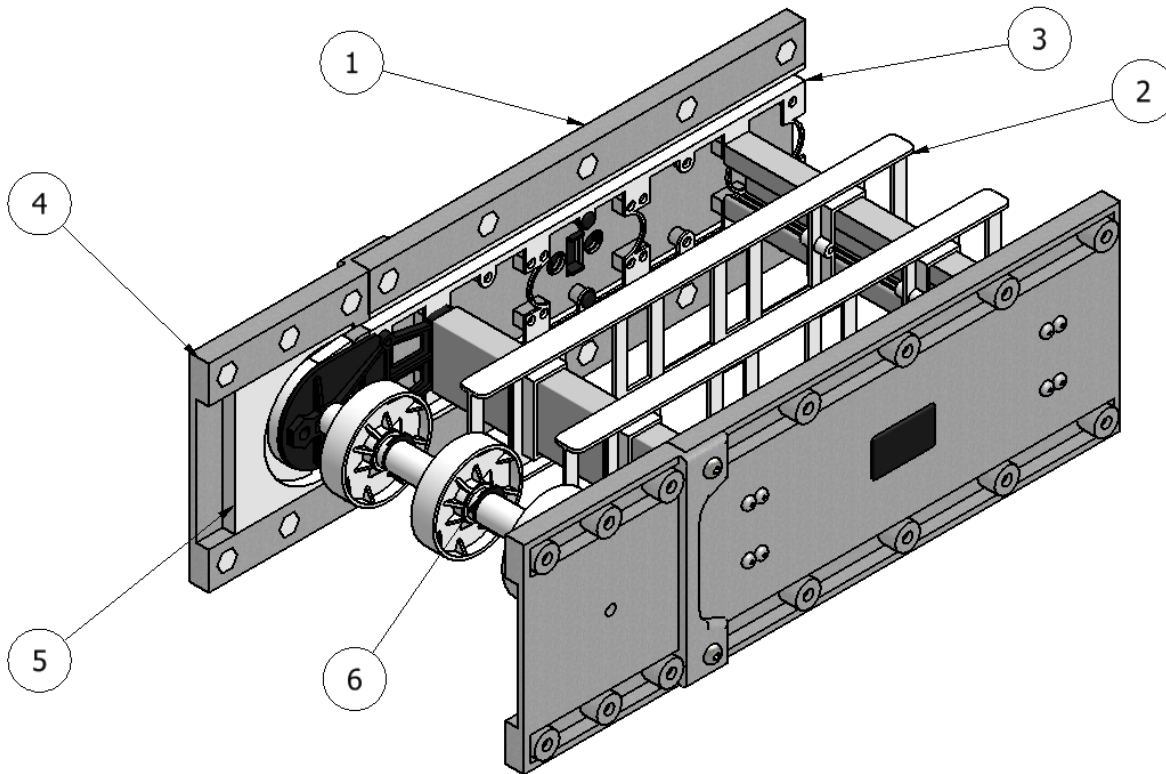


DynaCon Feed Module

Standard Profile



- | | |
|------------|--|
| 1 - REP952 | 17-1/2" Straight Extension Wall with Belt Path |
| 2 - PLC954 | 17-1/2" Straight Extension Belt Support |
| 3 - PLD953 | 17-1/2" Straight Extension Belt Path |
| 4 - REP956 | End Side |
| 5 - PLD955 | Feed End Side Wall Belt Path |
| 6 - PLD711 | E-Clip |

