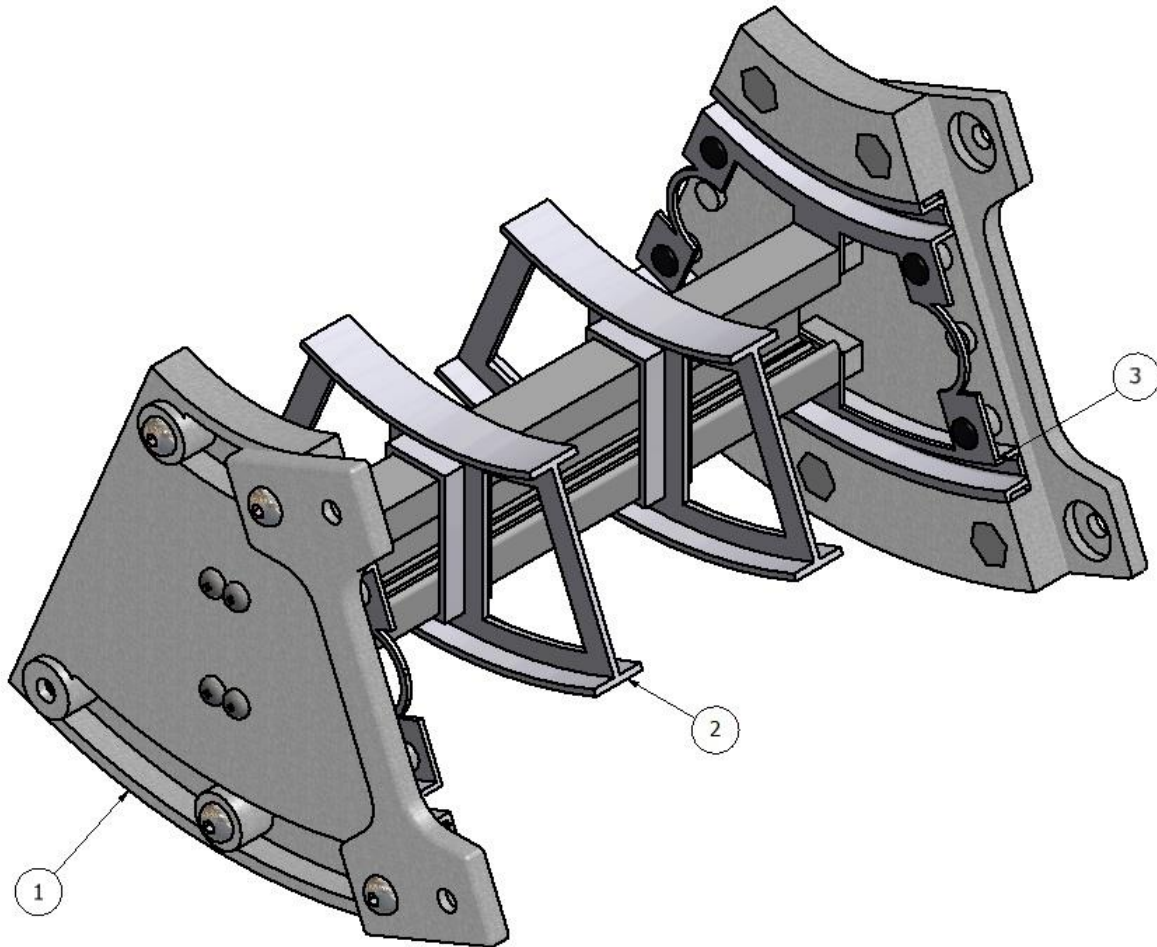


DynaCon 45° Connector

Standard Profile



- | | |
|------------|-----------------------------------|
| 1 - REP966 | 45° Connector Wall with Belt Path |
| 2 - PLC968 | 45° Connector Belt Support |
| 3 - PLD967 | 45° Connector Belt Path |