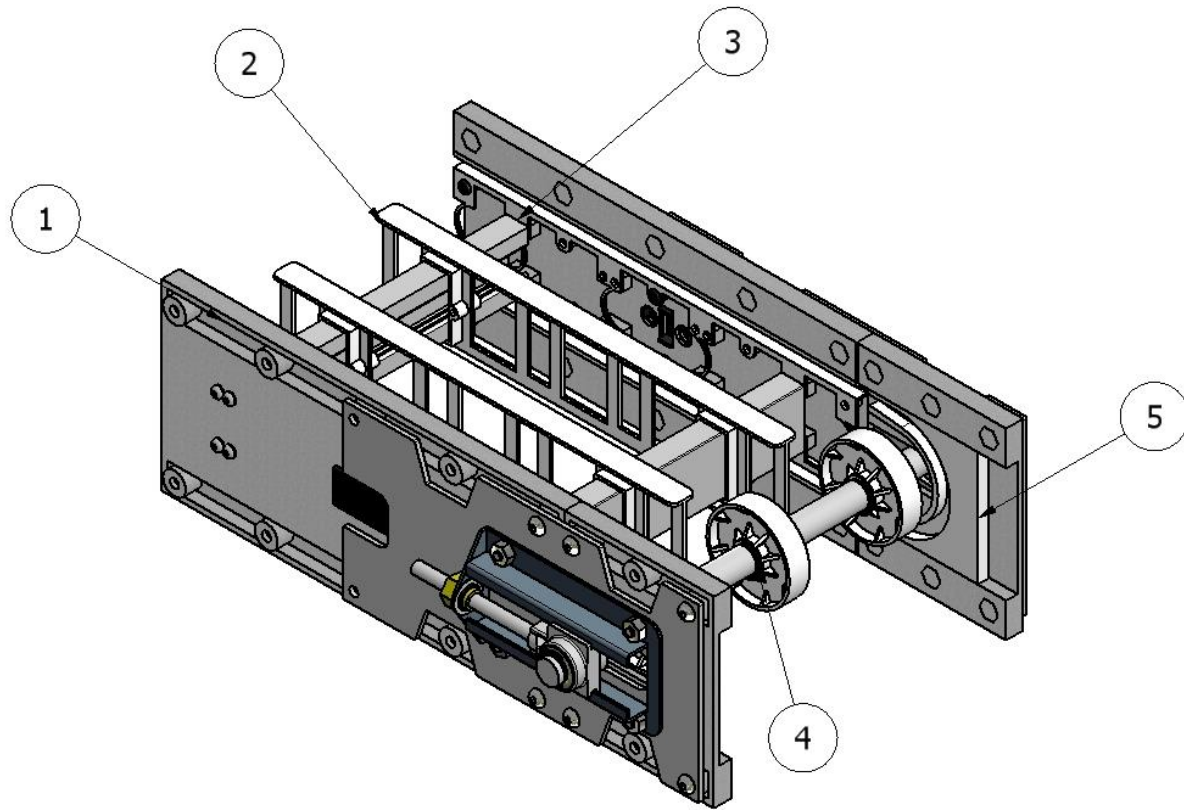


# DynaCon Heavy Duty Feed Module

## Standard Profile



- |                |  |
|----------------|--|
| 1 - REP952     | 17-1/2" Straight Extension Wall with Belt Path |
| 2 - PLC954     | 17-1/2" Straight Extension Belt Support        |
| 3 - PLD953     | 17-1/2" Straight Extension Belt Path           |
| 4 - PLD711     | E-Clip   |
| 5 - KIT955-HDT | Heavy Duty Feed End Side Wall Belt Path        |