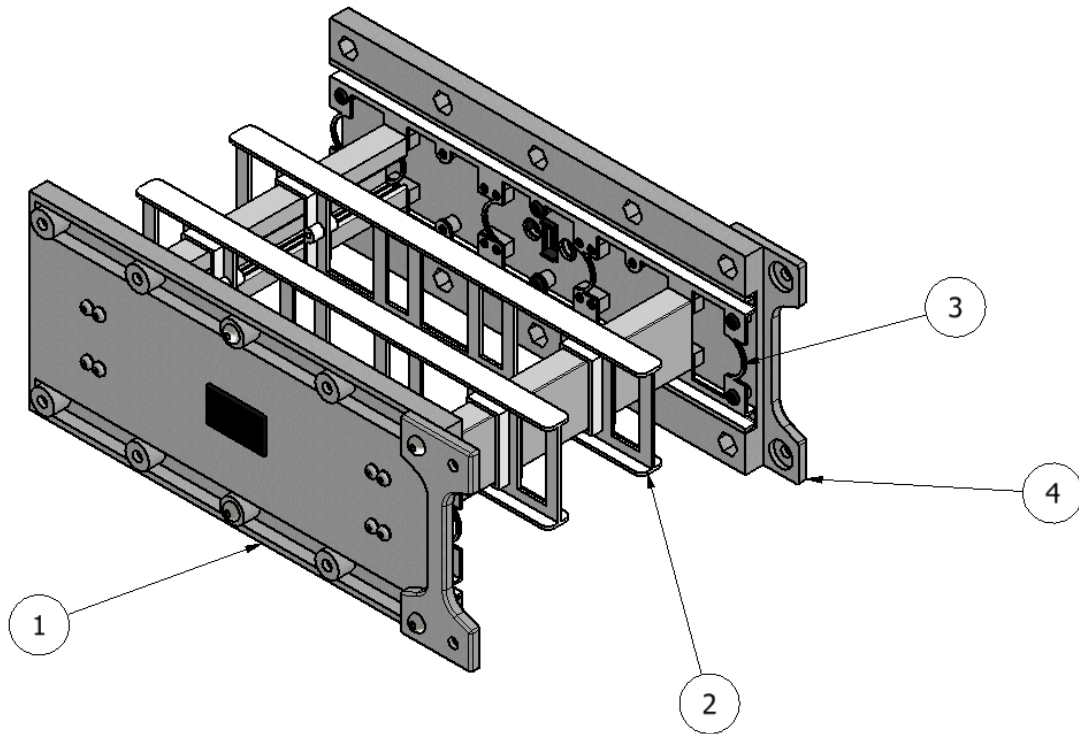


DynaCon 17.5" Straight Connector Standard Profile



- | | |
|------------|--|
| 1 - REP952 | 17-1/2" Straight Extension Wall with Belt Path |
| 2 - PLC954 | 17-1/2" Straight Extension Belt Support |
| 3 - PLD953 | 17-1/2" Straight Extension Belt Path |
| 4 - REP930 | Doubling Link |