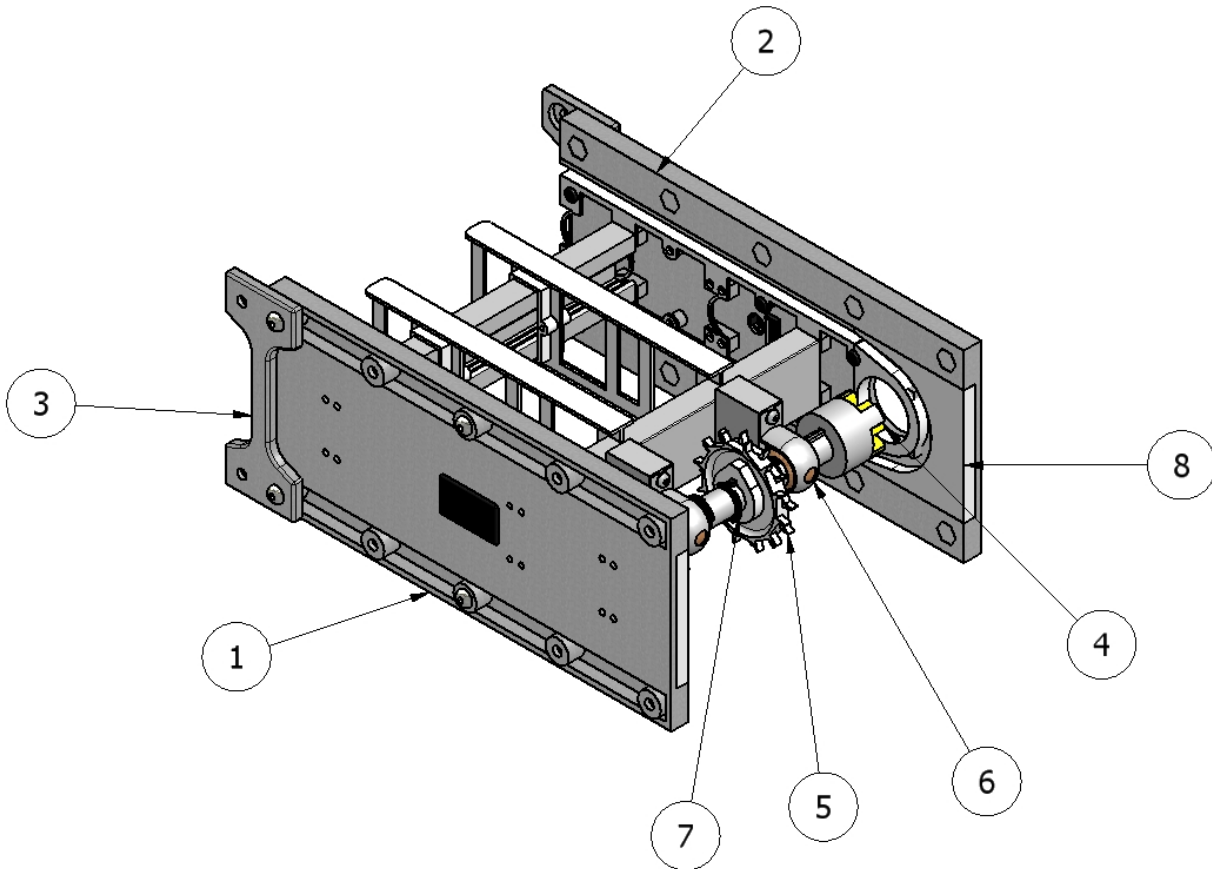


DynaCon Radius Turn Drive Module

Standard Profile



- | | |
|---------------|------------------------------------|
| 1 - SUR952-E | 17-1/2" Side- Radius Drive End |
| 2 - SUR952-EE | 17-1/2" Side-Radius Drive External |
| 3 - REP930 | Doubling Link |
| 4 - GPA200 | Spider |
| 5 - GPA192 | Radius Turn Drive Sprocket |
| 6 - GPA211 | Wood Bearing |
| 7 - PLD711 | E-Clip |

8- PLR955

Radius Turn Drive Side Wall Belt Path