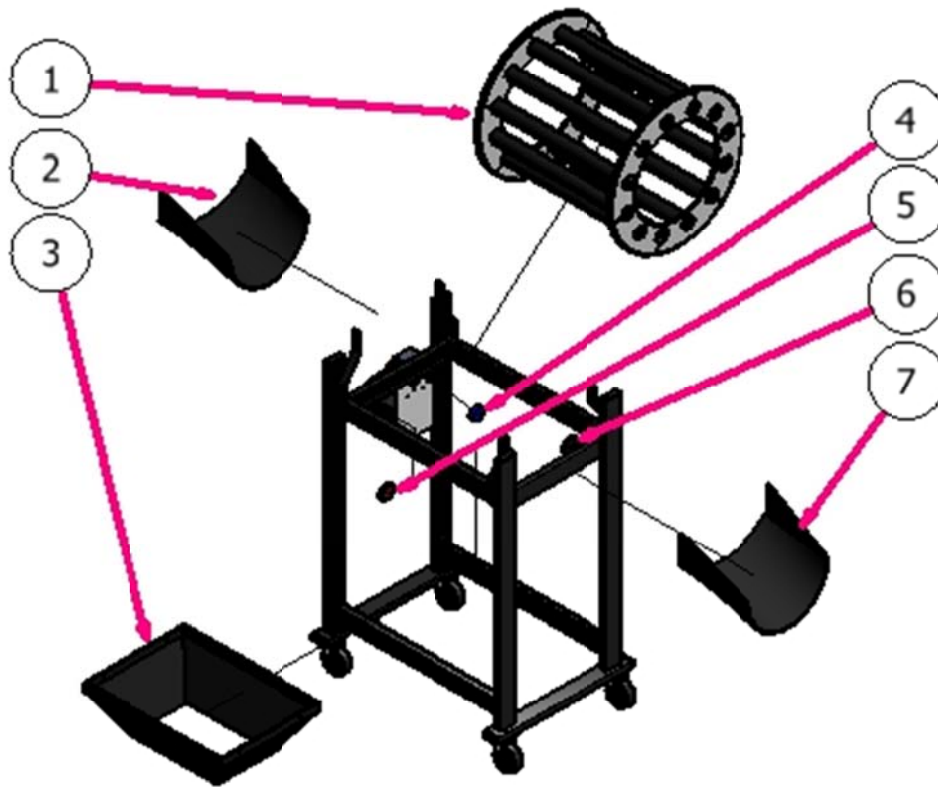
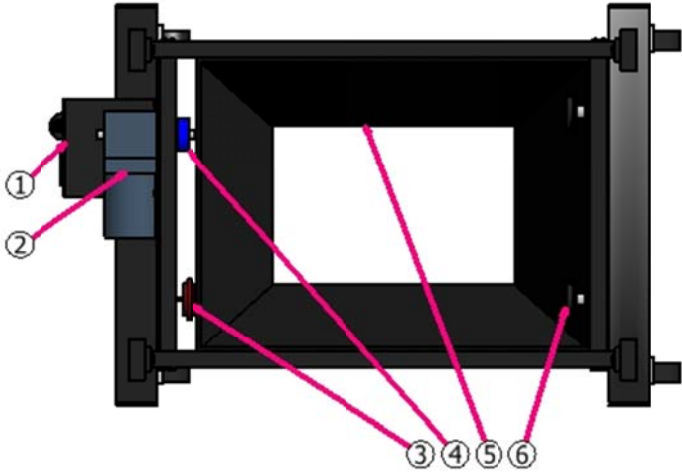


DynaCon® Tumbler Separator

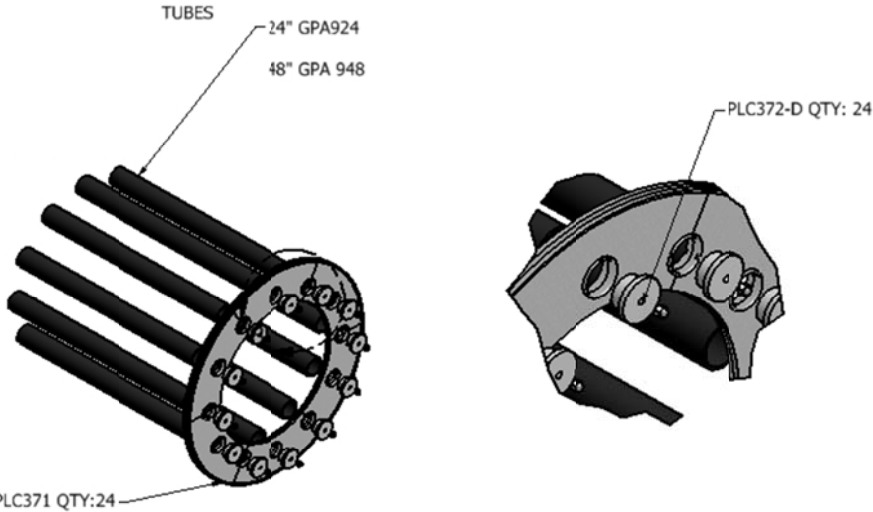


- | | | |
|---|--------|-------------------------|
| 1 | PLC371 | Cage Segment |
| 2 | GPC013 | Input Chute |
| 3 | GPC012 | Output Funnel Chute |
| 4 | GPC203 | Idler Wheel (Red Color) |
| 5 | GPC205 | Urethane Drive Wheel |
| 6 | GPC204 | Round Belt Idler |
| 7 | GPC014 | Output Chute |

Top view with cage removed



- 1 ELA826 Variable Speed Controller
- 2 ELA845-RHTS Gearhead
- 3 GPC203 Idler Wheel
- 4 GPC205 Urethane Drive Wheel
- 5 GPC012 Output Funnel Chute
- 6 GPC204 Round Belt Idler



- GPA924 24" Acrylic Tube
- GPA948 48" Acrylic Tube
- PLC371 Cage Segment
- PLC372-D Cage Ring Cap