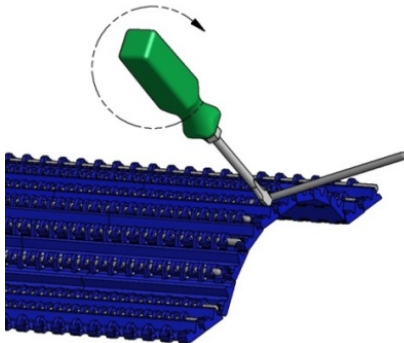


## Removing the Plastic Link Style Belt

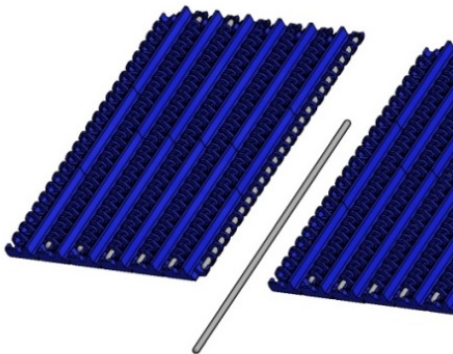
1. On the underside of the belt, use a flat-head screwdriver to wedge underneath the left side of one lacing rod near the edge on of the belt.



2. Turn the screwdriver clockwise so that the lacing rod lifts over the edge of the belt at an angle.



3. Separate the belt by pulling the lacing rod completely out.

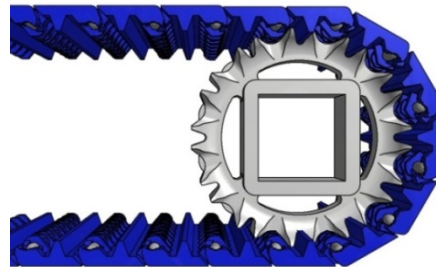


**NOTE:** Soaking the belt is not recommended.

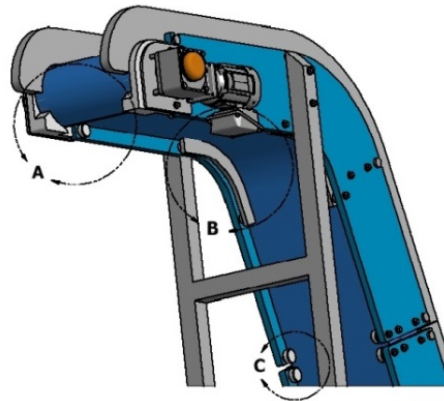
## Installing the Plastic Link Style Belt

**NOTE:** If rod is damaged in any way, then replace with a new rod

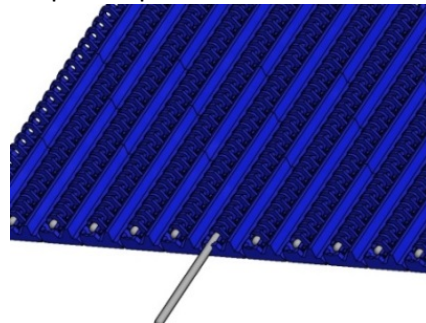
1. Align the teeth of the sprocket so they are engaged with the ribs on the underside of the belt.



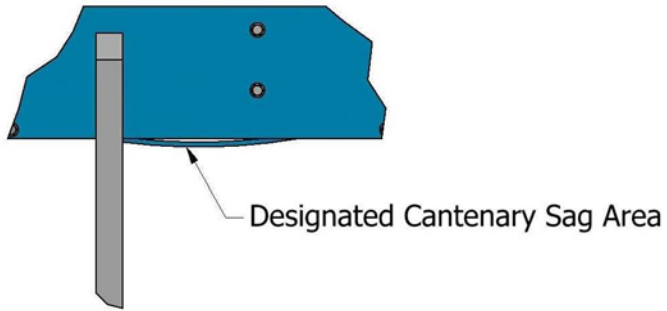
2. On the bottom of the conveyor, run the belt above the Safety Guards (Detail A) and Return Way Supports (Detail B & C).



3. Push the lacing rod in at a slight angle until the rod snaps into place.



4. Make sure that the belt is not tensioned (tight) for any reason and includes catenary sag(s)



5. If needed, the catenary sag(s) can be adjusted by loosening the bolts, lifting the feed plate, repositioning and tightening the bolts on both sides of the conveyor.

