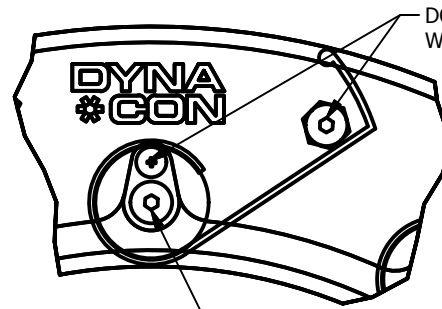
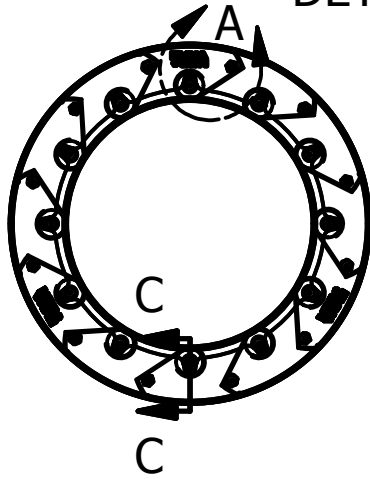


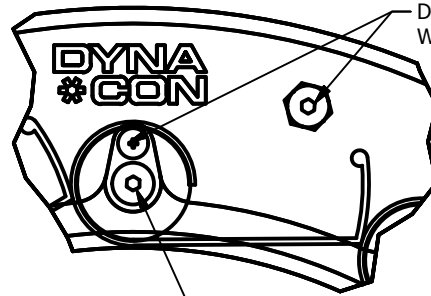
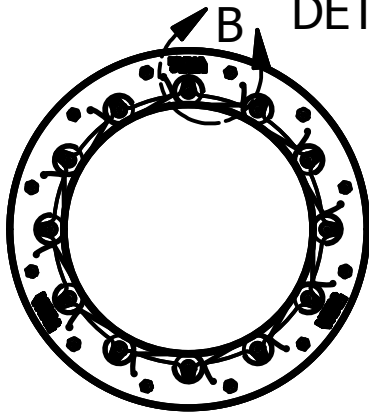
# TUMBLER FIN CAGE ADJUSTMENT

## DETAIL A - FINS FULLY OPENED



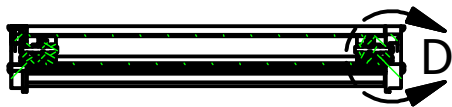
ALUMINUM FIN ADJUSTMENT SCREW  
TURN CLOCKWISE TO HOLD FINS IN PLACE  
TURN COUNTER CLOCKWISE TO LOOSEN FINS  
(2 ADJUSTMENT SCREWS PER ALUMINUM FIN)

## DETAIL B - FINS FULLY CLOSED

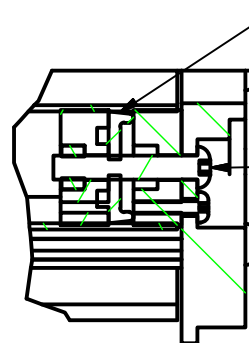


ALUMINUM FIN ADJUSTMENT SCREW  
TURN CLOCKWISE TO HOLD FINS IN PLACE  
TURN COUNTER CLOCKWISE TO LOOSEN FINS  
(2 ADJUSTMENT SCREWS PER ALUMINUM FIN)

## DETAIL D - HOW THE FRICTION DISC ADJUSTMENT SYSTEM WORKS



SECTION C-C  
HOW THE FRICTION  
DISC SYSTEM WORKS

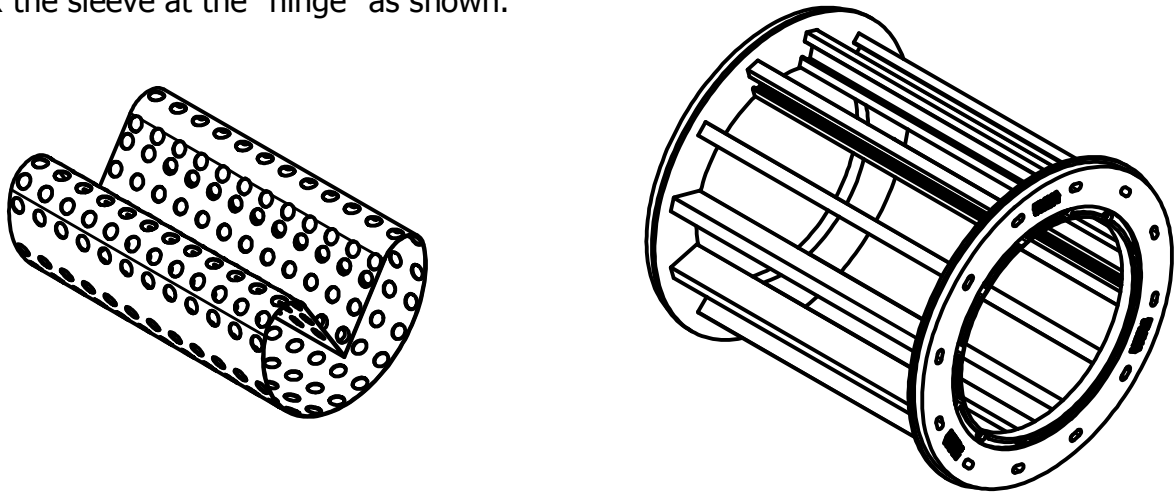


WHEN "FIN ADJUSTMENT SCREW" IS TIGHTENED,  
THE FRICTION DISC IS COMPRESSED CAUSING  
THE DISC'S DIAMETER TO EXPAND WHICH HOLDS  
THE ALUMINUM FINS IN PLACE

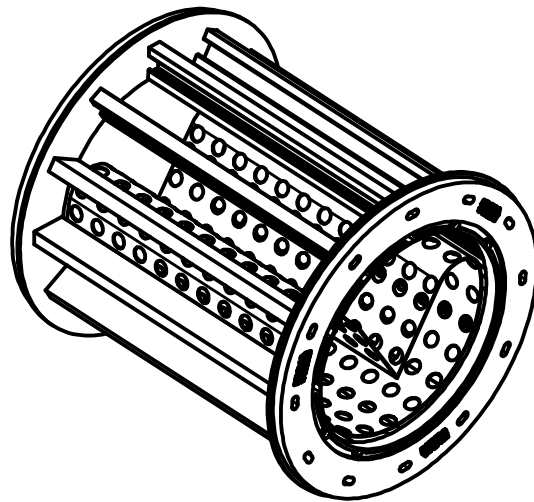
FIN ADJUSTMENT SCREW

# TUMBLER SEPARATOR SLEEVE INSERT

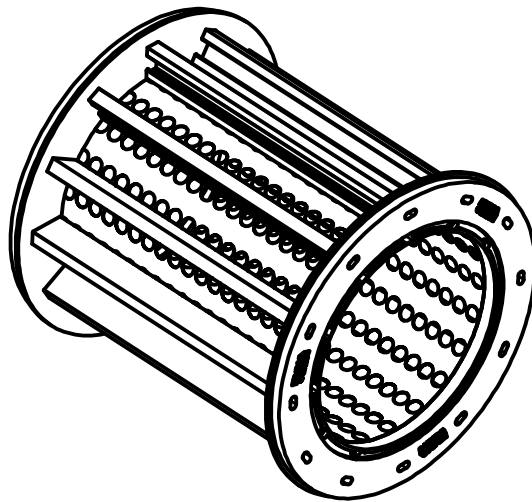
1. To insert a sleeve into a tumbler separator, you must first "flex the sleeve at the "hinge" as shown.



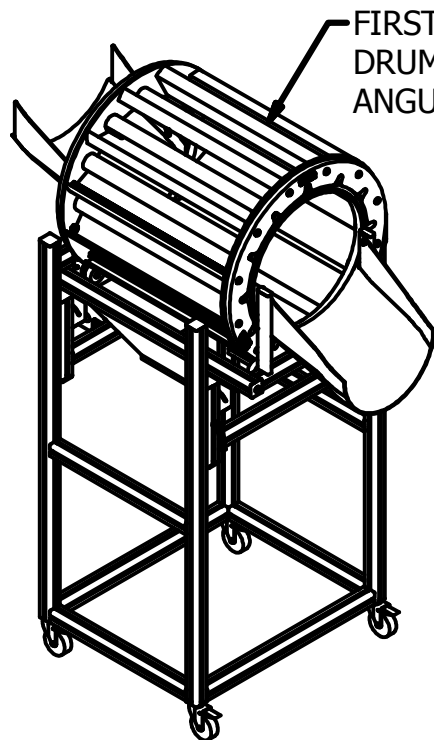
2. Insert the flexed sleeve into the separator drum.



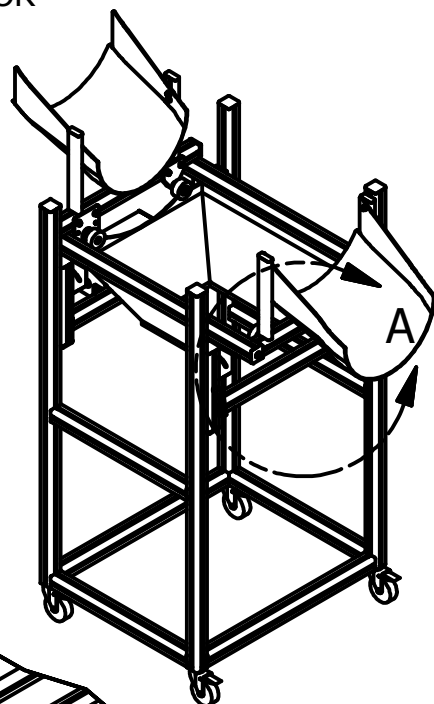
3. Now push the hinge outward to make a full circle.



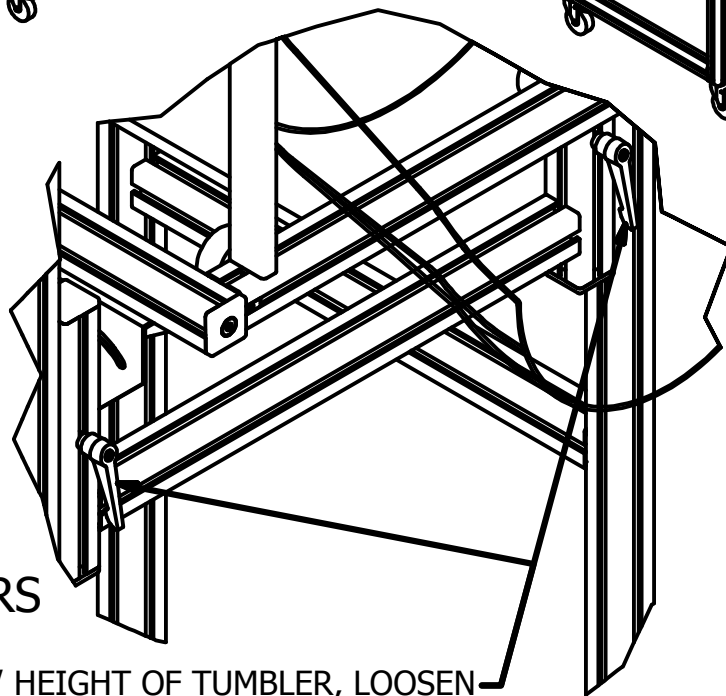
# ADJUSTING THE ANGLE / HEIGHT OF THE TUMBLER SEPARATOR



FIRST REMOVE TUMBLER SEPARATOR DRUM PRIOR TO MAKING ANY ANGULAR/HEIGHT ADJUSTMENTS



## DETAIL A ADJUSTMENT LEVERS



TO ADJUST ANGLE / HEIGHT OF TUMBLER, LOOSEN THE TWO ADJUSTMENT LEVER CONNECTIONS SIMULTANEOUSLY ON THE END THAT NEEDS ADJUSTMENT

ONCE THE DESIRED ANGLE / HEIGHT IS REACHED, TIGHTEN THE ADJUSTMENT LEVER CONNECTIONS AND REPLACE THE TUMBLER SEPARATOR DRUM

**\*\*NOTE: DO NOT OVER TIGHTEN THE ADJUSTMENT HANDLES\*\***

# TUMBLER SEPARATOR - ADDITIONAL CONTAINMENT

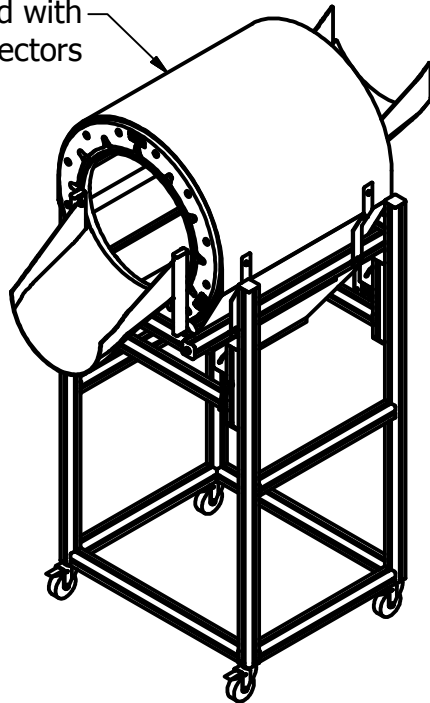
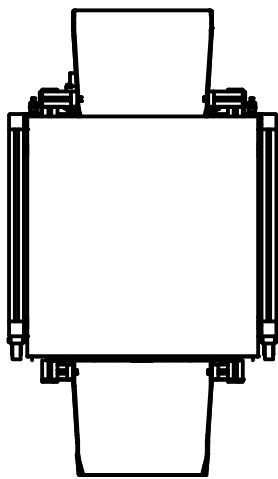
Each full tumbler assembly includes (1) side containment part deflector.

An additional side containment part deflector can be purchased if needed.

To cover the top of the tumbler drum, (2) side containment part deflectors are required.

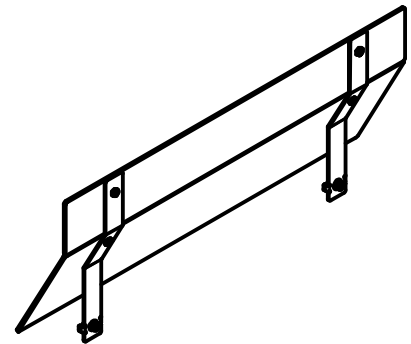
Below is an example of a full 2ft Tumbler Assembly with (2) part deflectors and a top cover installed:

Tumbler top cover installed with  
(2) side containment part deflectors



## SIDE PARTS DEFLECTOR PART#

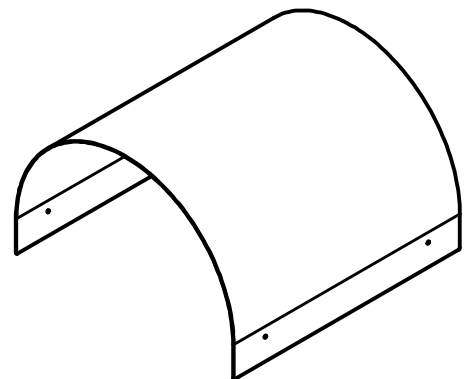
- 2ft Tumbler Deflector = **TS24D**
- 4ft Tumbler Deflector = **TS48D**



2ft deflector shown

## TUMBLER TOP COVER PART#

- 2ft Tumbler Cover = **CUS00274**
- 4ft Tumbler Cover = **CUS00266**



2ft cover shown