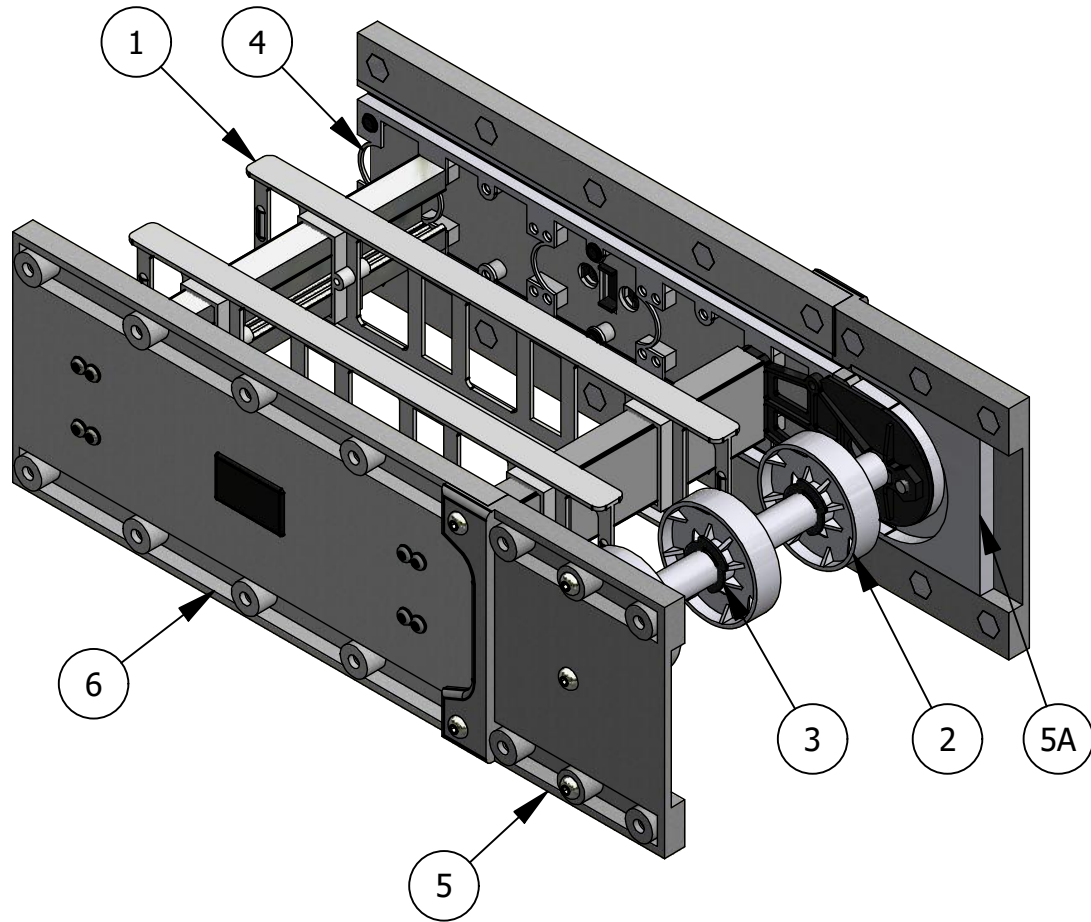


DynaCon Feed Module Standard Profile



ITEM	PART NUMBER	DESCRIPTION
1	PLC954	17 1/2" Belt Support
2	PLD703	Idler Wheel
3	PLD711	E-Clip Black 1"
4	PLD953	Belt Guide - 17 1/2"
5	REP956	End Side Wall Assembly
5A	PLD955	Belt Path - End Side
6	REP952	Side Wall Assembly