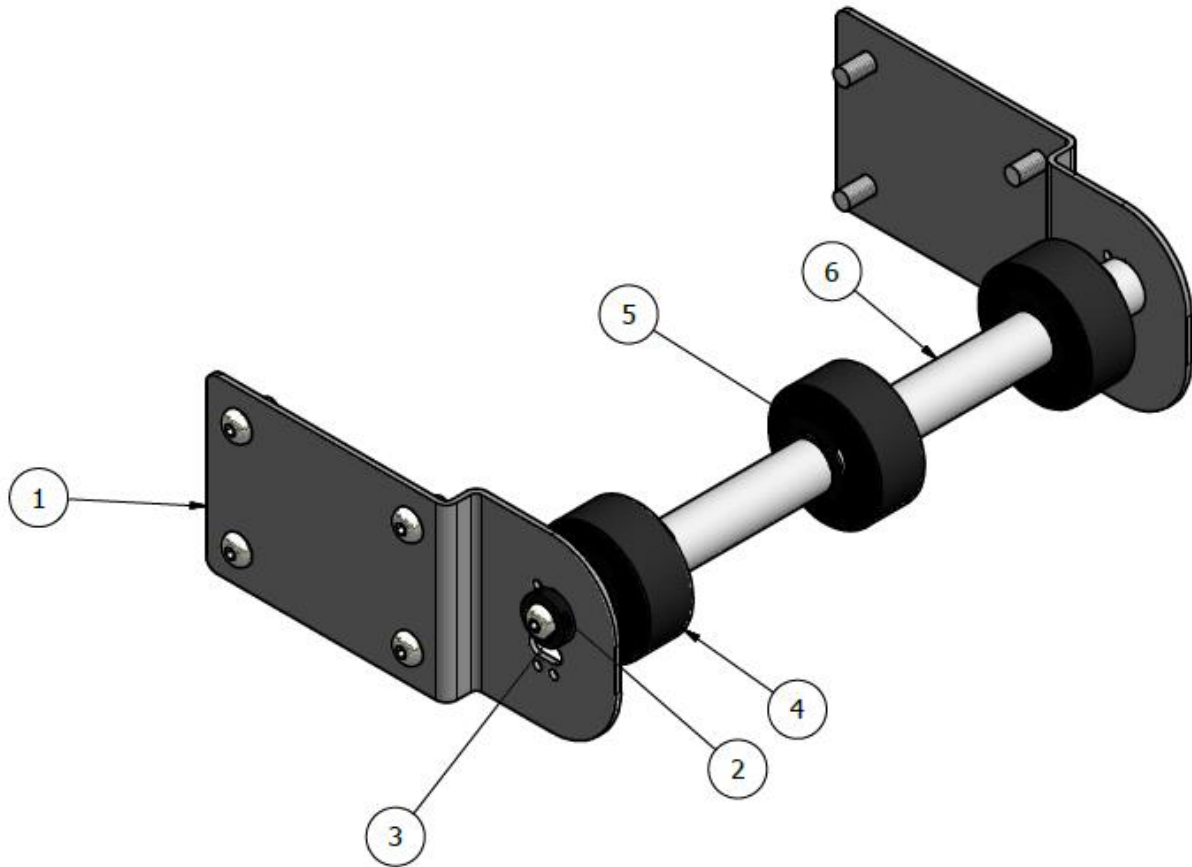


# DynaCon Feed Module

## Low Profile



- |             |  |
|-------------|--|
| 1 – GPC3020 | 4" Profile Take Plate                              |
| 2 – PLD702  | Tailstock Adj. Spacer                              |
| 3 – SCA382  | 3/8-16 X 1.00 BHCS Screw                           |
| 4 – PLD707  | UHMW Idler Wheel                                   |
| 5 – PLD711  | E-Clip   |
| 6 – GPC36__ | Tailstock Shaft (GPC36 <u>12</u> for 12" conveyor) |