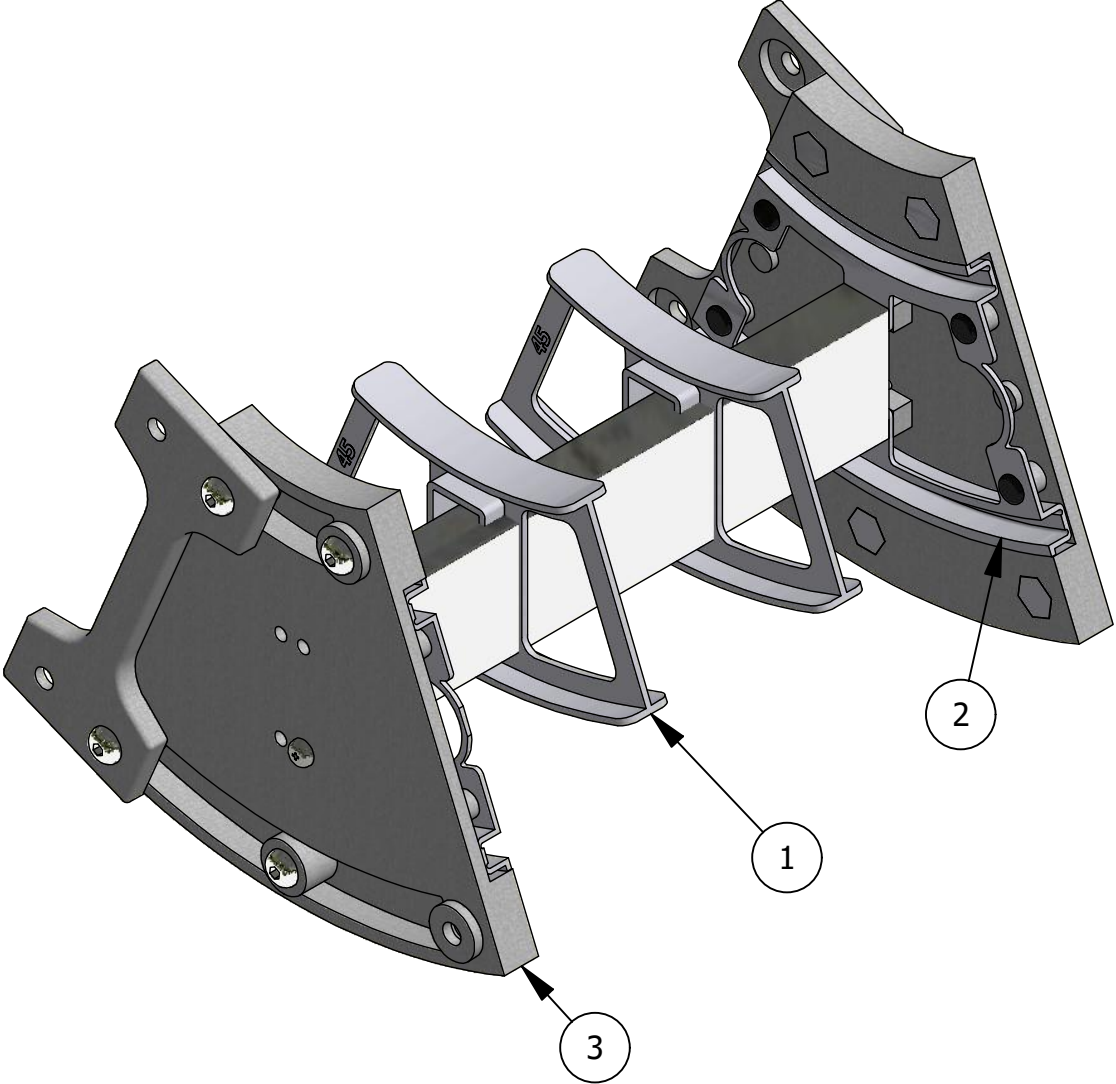


DynaCon 45° Connector

Standard Profile



ITEM	PART NUMBER	DESCRIPTION
1	PLC968	45 Degree Belt Support
2	PLD967	45 Degree Belt Path
3	REP966	45 Degree Side Wall Assembly