

Replacement Parts

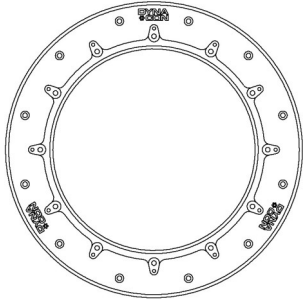
Separators

Parts are available for next day shipment.

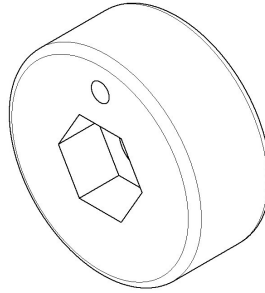


DYNAMIC CONVEYOR CORPORATION

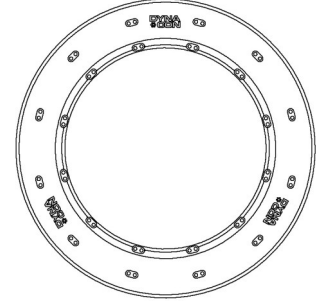
TSR004
Tumbler Ring—Fin Style



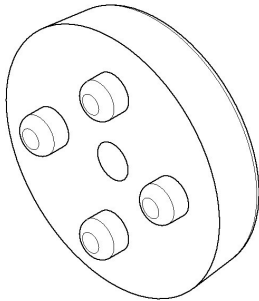
TSR005
Tumbler Cage Insert



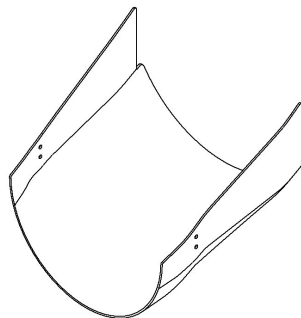
TSR006
Tumbler Ring—Sleeve Style



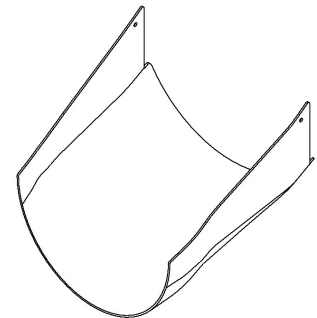
PLC374
Tumbler Fiction Disk



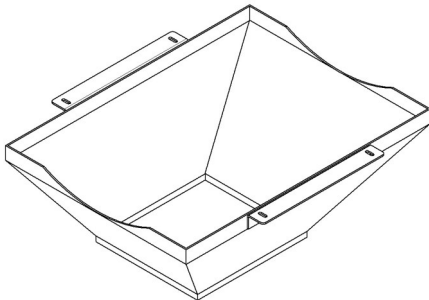
GPC013
Input Chute



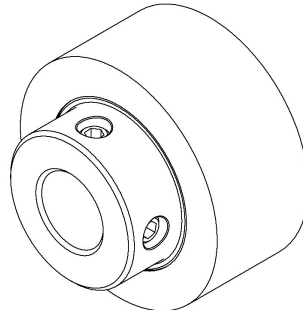
GPC013
Output Chute



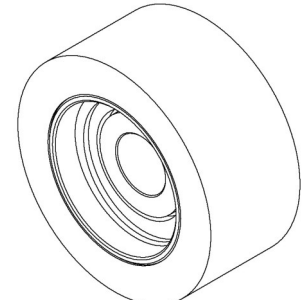
GPC015
Output Funnel Chute



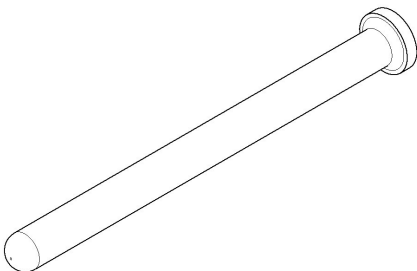
GPC205
Urethane Drive Wheel



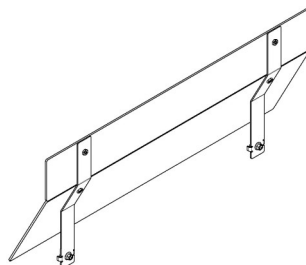
GPC218
Urethane Idler Wheel



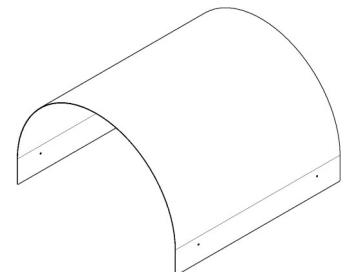
PLD370
Separator Lift Pin



TS24D (2ft Long)
TS48D (4ft Long)
Tumbler Side Deflector



CUS00274 (2ft Long)
CUS00266 (4ft Long)
Tumbler Top Cover



231.798.1483