

Parts Conveyor Specification Worksheet



www.dynamicconveyor.com

Company Name: _____
 Address: _____

 City: _____
 State: _____ Zip: _____

Contact Name: _____
 Phone: _____
 Email: _____

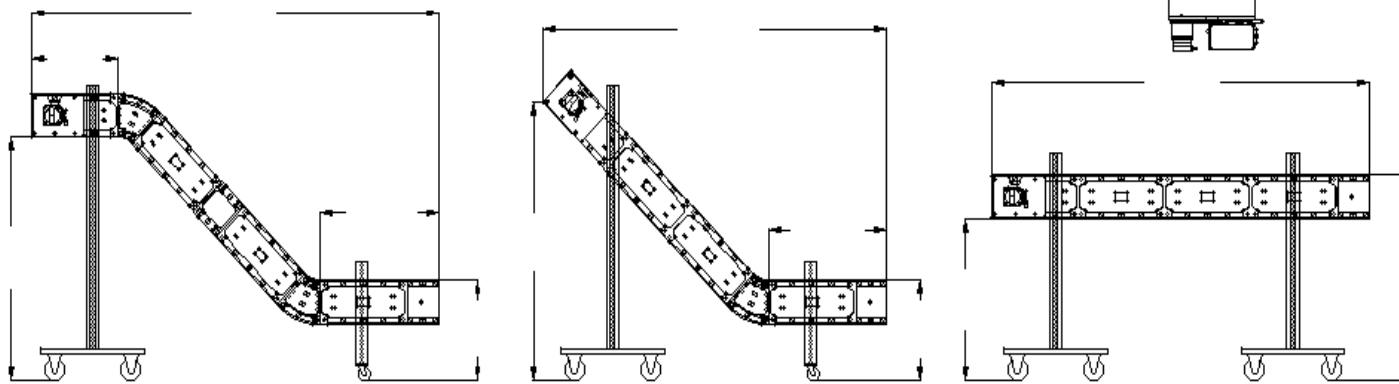
Product and Process Information

What are you Conveying? _____ Part Weight? _____ oz lbs
 What are the Part Dimensions? _____ x _____ x _____ Shot Count _____
(Length) (Width) (Height)
 What is the part temperature? _____ °F °C Cycle Time _____
Minutes Seconds
 Product Characteristics: Wet Dry Oily Abrasive Sticky Other
 Describe the environment: _____
Temperature | Static | Wet | Harsh Chemicals | Other
 How will the conveyor be fed? _____
Machine Dropping Parts | Vibratory Feeder | Other Conveyor | Hand Loaded | Tote or Box Dump
 What is the conveyor feeding? _____
Table | Hopper | Another Conveyor | Downstream Equipment
 Name & model of machine integrated with conveyor: _____

Conveyor Requirements

Please provide all dimensions in inches.

Conveyor Width:



Motor Configuration:	Power Supply:		Leg Supports:
External Motor	115VAC / 1PH / 60Hz	230VAC / 3PH / 60Hz	Casters
Internal Motor	220VAC / 1PH / 60Hz	460VAC / 3PH / 60Hz	No Casters

Additional Information: Please help us better understand your process challenges so we can help create the best solution. Are there any specific options you would like pricing on? How do you envision your system running and how do you want your operators to interface with it?

Available Options:

- Hoppers | Chutes | Diverters
- E-stop | Photo Eye | Ionizer
- Indexing | Reversing
- PLC/HMI Auto Controls
- Covers | Safety Guarding
- Metal Detection | Separation
- Air or Water Bath Cooling