

# Sanitary Conveyor Specification Worksheet



www.dynamicconveyor.com

Company Name: \_\_\_\_\_  
 Address: \_\_\_\_\_  
 City: \_\_\_\_\_  
 State: \_\_\_\_\_ Zip: \_\_\_\_\_

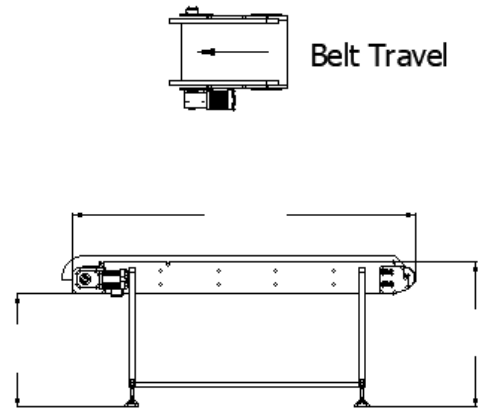
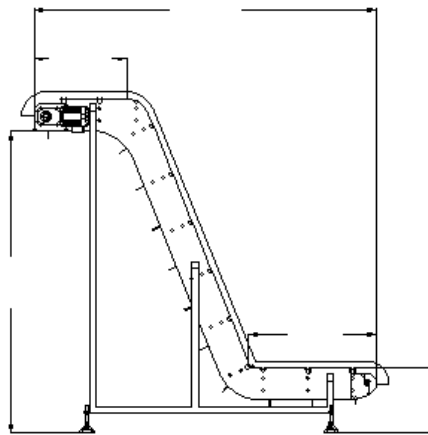
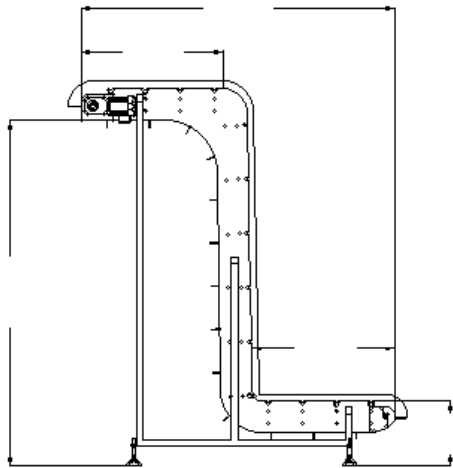
Contact Name: \_\_\_\_\_  
 Phone: \_\_\_\_\_  
 Email: \_\_\_\_\_

## Product and Process Information

What are you Conveying? \_\_\_\_\_ Throughput Rate: \_\_\_\_\_ lbs/hour  
 What is the product temperature? \_\_\_\_\_ °F °C Bulk Density: \_\_\_\_\_ lbs/cubic feet  
 Product Characteristics: Wet Dry Sticky Abrasive Friable Cakes/Smears  
 How frequently will the system be cleaned? \_\_\_\_\_  
 What process will be used for cleaning? \_\_\_\_\_  
Water Only | Chemical Solution | Wipe Down | Air | Other  
 What chemicals will be used during cleaning? \_\_\_\_\_  
 Describe the environment: \_\_\_\_\_  
Temperature | Wet | Dry | Harsh Chemicals | Other  
 How will the conveyor be fed? \_\_\_\_\_  
Machine Dropping Product | Vibratory Feeder | Other Conveyor | Hand Loaded | Tote or Box Dump  
 What is the conveyor feeding? \_\_\_\_\_  
Table | Hopper | Another Conveyor | Downstream Equipment  
 Name & model of machine integrated with conveyor: \_\_\_\_\_

## Conveyor Requirements

Please provide all dimensions in inches.



### Motor Configuration:

- External Motor
- Internal Motor

### Power Supply:

- 115VAC / 1PH / 60Hz
- 220VAC / 1PH / 60Hz
- 230VAC / 3PH / 60Hz
- 460VAC / 3PH / 60Hz

### Leg Supports:

- Casters
- No Casters

**Additional Information:** Please help us better understand your process challenges so we can help create the best solution. Are there any specific options you would like pricing on? How do you envision your system running and how do you want your operators to interface with it?

### Available Options:

- Hoppers | Chutes
- Catch Pans | Drip Pans
- PLC/HMI Auto Controls
- Covers | Safety Guarding
- Allergen Kit
- Scraper Blade | Spray Nozzles
- Metal Detection